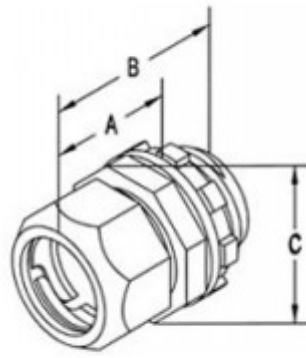


1" Raintight Compression Connector, Insulated

Compression style connector with internal sealing ring and knockout gasket to create a raintight seal when connecting EMT to box or enclosure. Insulated Throat - 90 Degree C. Patented

[Download Photo](#)[Download Drawing](#)

Product details

Catalog Number:	252-RTI2
UPC Number:	781747192523
Primary Materials:	Zinc Die Cast
Finish:	Ball burnished, mirror smooth
Trade Size:	1"
Unit Quantity:	15
Standard Package Quantity:	150

Dimensions

Trade Size:	1"
Dimensions A:	1.06
Dimensions B:	1.5045
Dimensions C:	1.478

Certifications & Codes

Federal Specification Number: A-A-50553

UL File Number: E24001

UNSPSC: 39121434

Nema Standard: FB-1

UL Standard: UL-514B

Country Of Manufacture: USA of USA and Imported Parts